

Philips UV-C disinfection trolley



Philips UV-C disinfection trolley

The UV-C trolley with one or two-arms version is designed to disinfect professional surfaces within a coverage of up to 36m² of circular coverage area or 20m² of square area. In laboratory testing, Signify's UV-C light sources reduced SARS-CoV-2 virus infectivity on a surface to below detectable levels in as few as 9 seconds.¹

Safety features, as remote control, voice alarm and key locks, are integrated to operate the trolley safely. With the 360° wheels, UV-C trolley is a flexible solution as it can be easily and quickly replaced and repositioned in a room/space. The UV-C radiation of the trolley disinfects with listed timeslot and offers a great variety for options of lamp directions and disinfection durations.

Benefits

- In laboratory testing, Signify's UV-C light sources reduced SARS-CoV-2 virus infectivity on a surface to below detectable levels in as few as 9 seconds.¹
- 4-log disinfection for 20m² square area or 36m² circular area within 30 minutes for one arm trolley, or 15 minutes for two arm trolley².
- Environment friendly as no ozone emission, no residue after or during usage.

Safeguard benefits

- Precautionary measures need to be taken by the user to assure the safety when operating this device (locks, cordoning off of the rooms, signage, key lock switches, etc.) as described in the user manual & mounting instructions.
- To support the operator during set up and usage additional safeguard control are included: a timer to plan disinfection for a predefined period, remote control, and voice alarm. Additional containment safeguards (such as user manual and mounting instruction) should be deployed together with the UV-C trolley in order to ensure that no people or animals are exposed to the UV-C rays.

¹ Nadia Storm *et al.* *Rapid and complete inactivation of SARS-CoV-2 by ultraviolet-C irradiation*, 2020. Subject to peer review and available only as a pre-print at <https://www.researchsquare.com/article/rs-65742/v2>. The UV-C irradiance used in this study was 0.849 mW/cm².

² The 4-log disinfection dose for Covid19 is 220J/m² which is verified to calculate the Irradiance at the distance of below mentioned coverage area: 0.13W/m².
Time = Dose/Irradiance = 220(J/m²)/0.13(W/m²)=1692(S)/60=28 (mins).

UV-C disinfection trolley

Key features

- **Remote control:** on/off independent button, 4 options 15/30/60/90 mins. 30 sec delay time before disinfection cycle commences.
- **Control distance:** maximum 10 meters.
- **Housing material:** stainless steel with plastic which is anti UV.
- **Buzzer & LED indicator:** to indicate that the device is active.
- **Two Philips UV-C lamp:** strong ultraviolet radiation. One arm trolley – 2pcs TUV 30W, two arm trolley – 4pcs TUV 30W.
- **Lock and key protection:** only authorized person(s) can unlock the key to operate the trolley according safety instruction.
- **Voice Alarm:** operation is supported by audio guidance on the warnings and procedures of the trolley.
- **Touch panel:** timer button 15/30/60/90/120 mins, power on/off button, 30 sec delay time when timing is setting.

Application

The UV-C trolley disinfects surfaces that are directly exposed to the UV-C light, emitted by the UV-C lamps fitted in the UV-C trolley. The trolley must not be used in the presence of any persons or animals.

Office	disinfect work rooms, meeting spaces, pantries, corridors
School	disinfect classroom floors, desks, chairs, surfaces
Banking	disinfect counters, cash machines and work surfaces
Hospitality	disinfect guest rooms, reception areas, tables, equipment
Food outlets	disinfect preparation surfaces and equipment, food pick up table surfaces
Hair and beauty salons	disinfect operating surfaces, mirrors, counters, chairs and other sensitive areas
Buses and trains	disinfect interior surfaces as seats and handhelds

Specifications

	One arm without sensor	Two arm without sensor
Input voltage	220-240V/50/60Hz	
Safety Class (driver+system)	Class I	
Total Power	65W	130W
UVC lamp power	30W *2	30W*4
UVC lamp wavelength	254nm	
Ballast	HFP 236	
Operating temp	5°C - 40°C	
Ta	25°C	
Size	104.6 x 23.4 x 25 cm	116.8 x 40 x 34 cm
Weight	6.7kg	18.8Kg
Lamp Useful life	9K hrs (based on lamp spec)	
Ballast Lifetime	100K hrs	
Flying cable	1500mm	
Panel / remote controller lifetime	15K keystrokes (press times)	
Housing Material	Stainless Steel	
PC parts	UV resistant PC, RAL7043	
Arm adjustable angle	0-180°, 6 steps base on current design	0-180°, 6 steps base on current design
Ozone free	Yes	
Door Locker	Yes	
Remote controller	Yes, wall/door through, group controlling	
Voice Alarm	Yes	
Power on indicator	Yes	
Power on alarm	Voice alarm	
Time setting	Control board 5 step – 15 min/30 min/ 60 min/90 min/120 min Remote control 4 step – 15 min/30 min/ 60 min/ 90 min	
Safety start	30s delay after disinfection duration confirms	
Warranty	1yr	
Service part	UVC-Lamp / ballast / remote controller / Key	

UV-C disinfection trolley

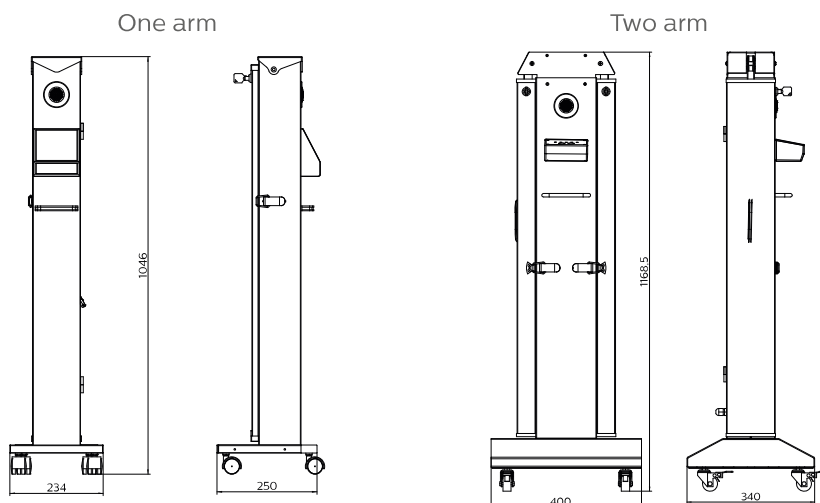
Warnings and safety

DANGER: Risk Group 3 UV product. Like any disinfection system, UV-C lamps and devices must be installed and used in the correct way. Direct exposure to UV-C can be dangerous and result in a sunburn-like reaction to the skin and serious damage to the cornea. As UV-C is invisible to the eye, the UV-C trolley must be used by authorized person with adequate safeguards to ensure that the UV-C disinfection trolley can be operated in a safe way. The UV-C disinfection trolley are only to be used as components in a system that consists of adequate safety safeguards such as, but not limited to, those indicated in the mounting instructions and/or user manuals. Direct exposure to UV-C is dangerous. Philips UV-C products must only be sold through qualified partners and installed by professionals according to our stringent safety and legal requirements. Our UV-C products are not meant to be used in applications or activities which may cause and/or lead to death, personal injury and/or damage to the environment.

Disclaimer

The UV-C disinfection trolleys' effectiveness in the inactivation of certain viruses, bacteria, protozoa, fungi or other harmful micro-organisms is as described above. Signify and its group of companies do not promise or warrant that the use of the UV-C disinfection trolleys will protect any user from or prevent from infection and/or contamination with any viruses, bacteria, protozoa, fungi, illness or disease. The UV-C disinfection trolleys are not approved and/or certified as a medical device by the FDA and/or any other regulatory body. As such, the UV-C disinfection trolleys are not intended for and must not be used to disinfect medical devices, rooms and/or spaces that are furnished with medical devices and/or for medical purposes. In addition to and without limitation of any exclusions or limitations of liability of Signify and its group of companies as set forth in any agreement for the sale, distribution or otherwise making available of the UV-C trolleys, Signify and its group of companies shall have no responsibility or liability whatsoever for any claim or damage that may arise from or relate to any use of the UV-C trolleys outside of their intended use or contrary to their installation and operation instructions, each as described in this document, the user manuals and/or the mounting instructions.

Dimensional drawing



General information

One arm		Two arm		Clarification on flex & plug
12NC	Product Description	12NC	Product Description	
911401792982	UVCT100 65W 01	911401793102	UVCT200 130W 01	ANZ standard
911401792992	UVCT100 65W 02	911401793112	UVCT200 130W 02	British standard
911401793002	UVCT100 65W 03	911401793122	UVCT200 130W 03	China mainland standard
911401793012	UVCT100 65W 04	911401793132	UVCT200 130W 04	Indonesia standard
911401793022	UVCT100 65W 05	911401793142	UVCT200 130W 05	Korea standard
911401793032	UVCT100 65W 06	911401793152	UVCT200 130W 06	KSA standard
911401793042	UVCT100 65W 07	911401793162	UVCT200 130W 07	Pakistan standard
911401793052	UVCT100 65W 08	911401793172	UVCT200 130W 08	Philippines standard
911401793062	UVCT100 65W 09	911401793182	UVCT200 130W 09	Taiwan standard
911401793072	UVCT100 65W 10	911401793192	UVCT200 130W 10	Thailand standard
911401793082	UVCT100 65W 11	911401793202	UVCT200 130W 11	Turkey standard
911401793092	UVCT100 65W 12	911401793212	UVCT200 130W 12	Vietnam standard